

EHS-CC30 Circular Horn Speaker, 30W



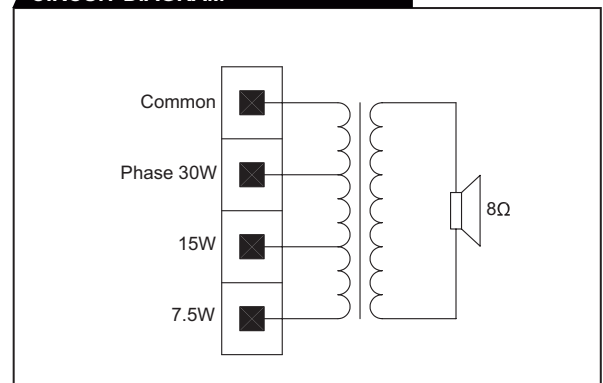
Features

- ▶ High quality horn speaker designed with circular cabinet. provides uniform ambience of sound high sound output in a wider area.
- ▶ 100V line operation with power taps 30W, 15W and 7.5W.
- ▶ Ideal for railways and metro station, parking lots, schools, corridors etc.
- ▶ Provided with U type strong metal bracket for rigid mounting.

TECHNICAL SPECIFICATIONS

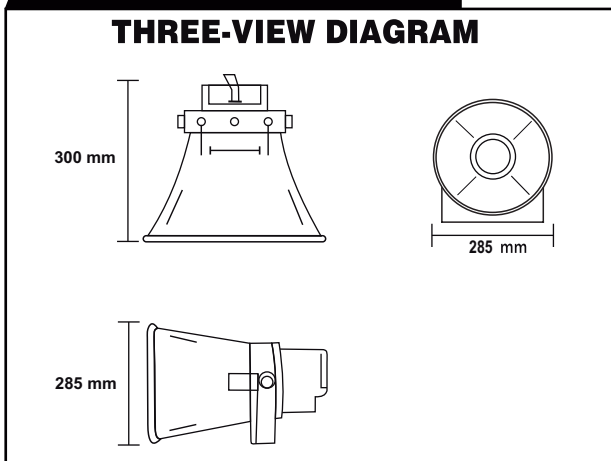
Rated Power/ Max. Power	30W / 45W
Power Tappings	30W - 15W - 7.5W
SPL at 1W (at 1Khz,1m)	115 dB
Impedance	333/667/1333 ohm
Frequency range (-10 dB)	500 Hz ~3.5KHz
Dimensions	285mm (OD)x 300mm (H)
Mounting Type	U shape metal bracket
Weight	1.85 Kg
Material	ABS
Color	Light Grey

CIRCUIT DIAGRAM

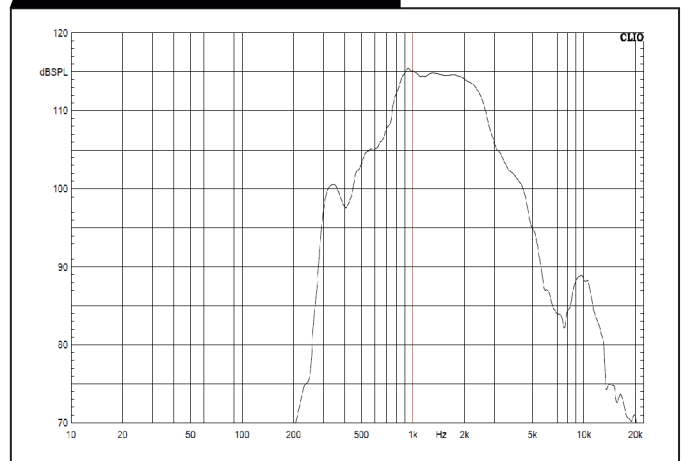


DIMENSION

THREE-VIEW DIAGRAM



FREQUENCY RESPONSE



Products are continually improved. All specifications are subject to change without prior notice | For more information, contact info@economicaudio.in

Economic Audio India Pvt Ltd

T-4/31, Phase-1, Mangolpuri Industrial Area, Delhi- 110083, India

Tel: +91 9811656565

Email: info@economicaudio.in

Website: www.economicaudio.in