

EHS-EC30 Elliptical Horn Speaker, 30W



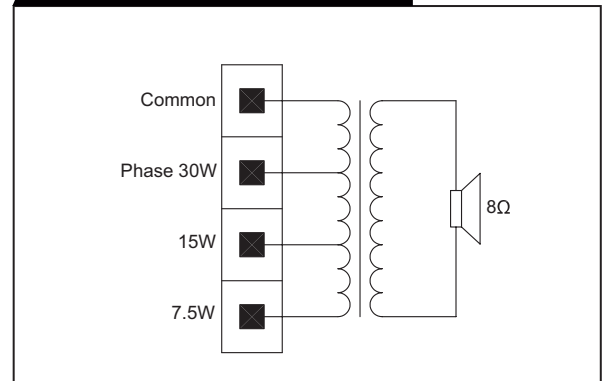
Features

- ▶ High quality horn speaker designed with elliptical cabinet. provides uniform ambience of sound high sound output in a wider area.
- ▶ 100V line operation with power taps 30W, 15W and 7.5W.
- ▶ Ideal for railways and metro station, parking lots, schools, corridors etc.
- ▶ Provided with U type strong metal bracket for rigid mounting.

TECHNICAL SPECIFICATIONS

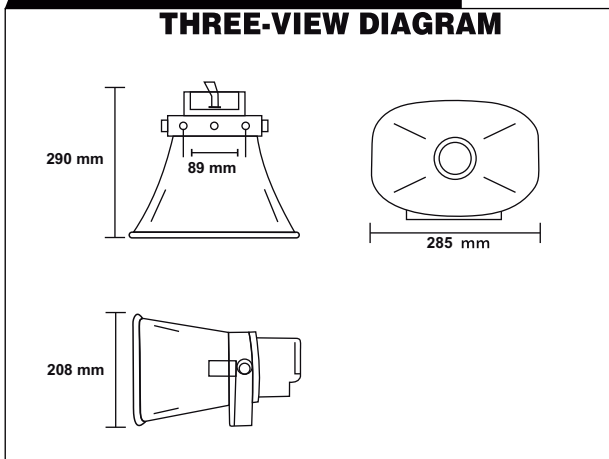
| | |
|--------------------------|------------------------|
| Rated Power/ Max. Power | 30W / 45W |
| Power Tappings | 30W - 15W - 7.5W |
| SPL at 1W (at 1Khz,1m) | 115 dB |
| Impedance | 333/667/1333 ohm |
| Frequency range (-10 dB) | 500 Hz ~3.5KHz |
| Dimensions | 285(L)x208(W)x290(H)mm |
| Mounting Type | U shape metal bracket |
| Weight | 1.72 Kg |
| Material | ABS |
| Color | Light Grey |

CIRCUIT DIAGRAM

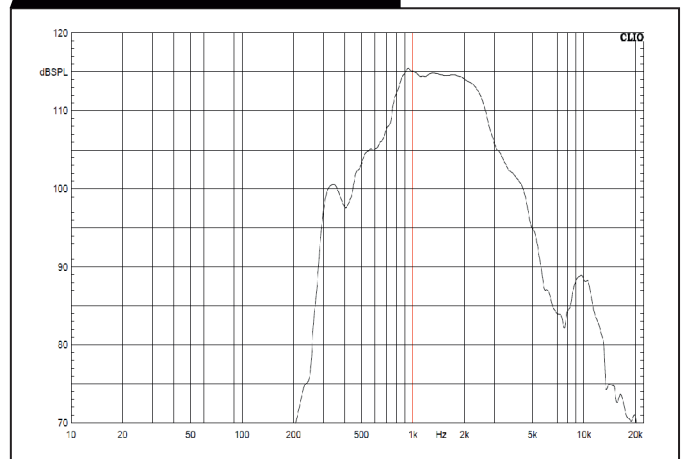


DIMENSION

THREE-VIEW DIAGRAM



FREQUENCY RESPONSE



Products are continually improved. All specifications are subject to change without prior notice | For more information, contact info@economicaudio.in

Economic Audio India Pvt Ltd

T-4/31, Phase-1, Mangolpuri Industrial Area, Delhi- 110083, India

Tel: +91 9811656565

Email: info@economicaudio.in

Website: www.economicaudio.in