

## EWM402-25 Wall Mount Speaker, ABS Body 25W



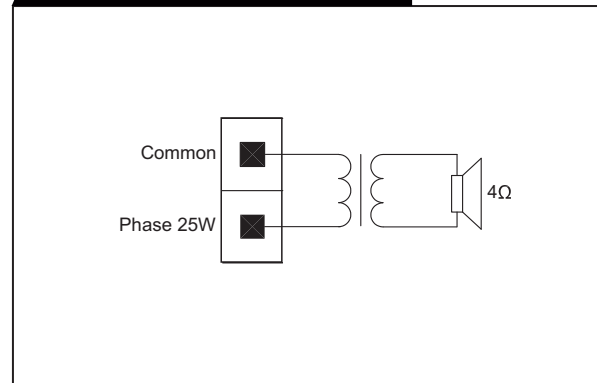
### Features

- ▶ Stylish plastic cabinet wall mount speaker provides high sound output in a wider area.
- ▶ Full range speaker for speech and music reproduction.
- ▶ 2 way - 100V multi purpose PA Speaker system.
- ▶ 100V line operation with power taps 25W.
- ▶ 3.5" full range woofer, 25W/100V
- ▶ Ideal for offices, shops, railways & metro station, corridors, malls etc.
- ▶ Key hole & metal clamp for easy wall mounting.

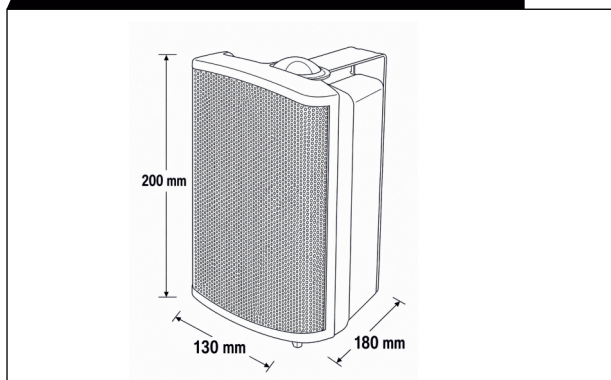
### TECHNICAL SPECIFICATIONS

Rated Power	25W
Max. Power	37W
Power Tappings	25W
SPL at 1W (at 1Khz,1m)	88 dB
Impedance	400 ohm
Frequency range (-10 dB)	150 Hz ~15KHz
Dimensions	130(L)x180(W)x200(H)mm
Weight	1.120 Kg
Material	ABS
Color	White

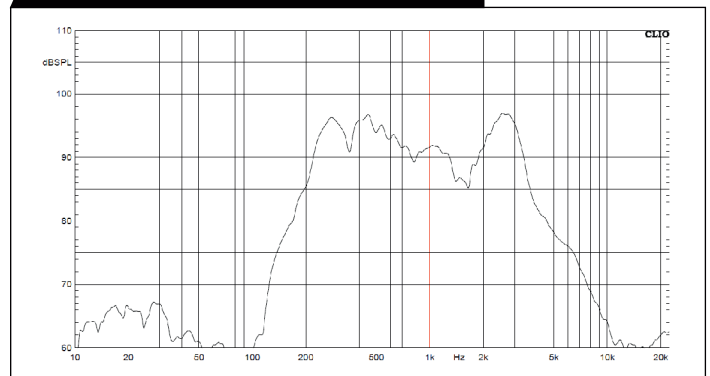
### CIRCUIT DIAGRAM



### DIMENSION



### FREQUENCY RESPONSE



Products are continually improved. All specifications are subject to change without prior notice | For more information, contact [info@economicaudio.in](mailto:info@economicaudio.in)

**Economic Audio India Pvt Ltd**

T-4/31, Phase-1, Mangolpuri Industrial Area, Delhi- 110083, India

Tel: +91 9811656565

Email: [info@economicaudio.in](mailto:info@economicaudio.in)

Website: [www.economicaudio.in](http://www.economicaudio.in)