

ECS302H-06

Compact Ceiling Speaker, Metal Grille, 6W



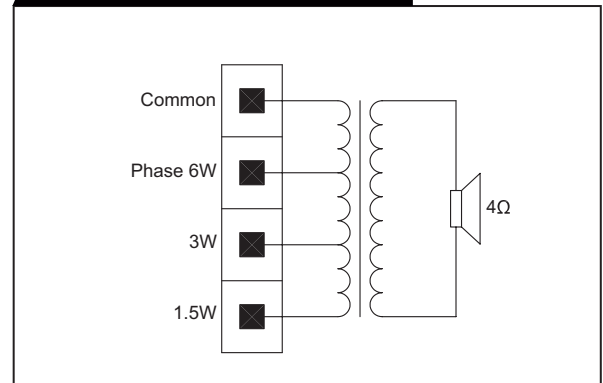
Features

- ▶ High quality compact ceiling speaker with stylish frame and grille
- ▶ Full range speaker for speech and music reproduction. Provides high sound output in a wide area.
- ▶ 100V line operation with power taps 6W, 3W and 1.5W.
- ▶ 3" full range speaker, 6W/100V
- ▶ Ideal for railways and metro station, factories, offices, shops, malls etc.
- ▶ Easy mounting with spring loaded wing clamps.

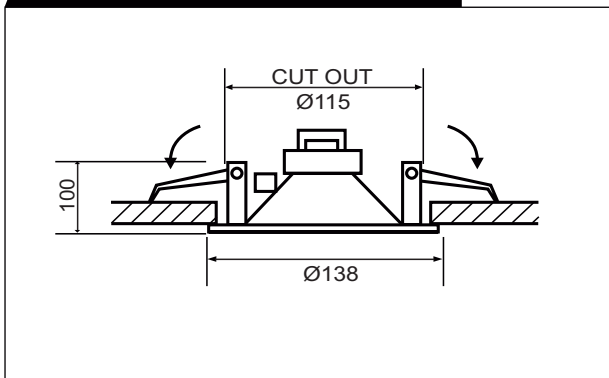
TECHNICAL SPECIFICATIONS

Rated Power/ Max. Power	6W / 9W
Power Tappings	6W - 3W - 1.5W
SPL at 1W (at 1Khz,1m)	86 dB
Impedance	1667/3333/6666 ohm
Frequency range (-10 dB)	70 Hz ~15KHz
Dimensions	138mm (OD)x 100mm (H)
Cutout Diameter	115.0mm
Weight	0.67 Kg
Material	ABS
Color	White

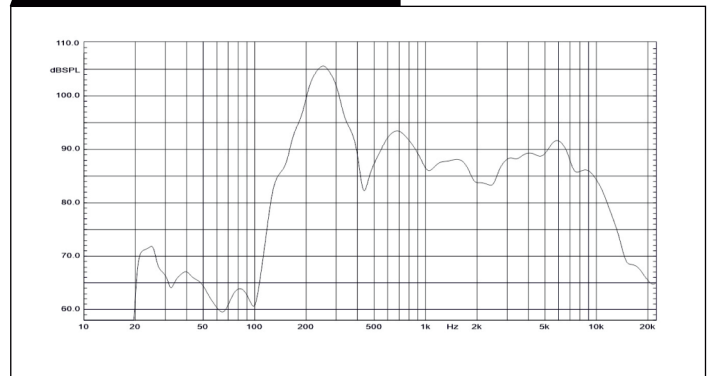
CIRCUIT DIAGRAM



DIMENSION & CUTOUT DIA



FREQUENCY RESPONSE



Products are continually improved. All specifications are subject to change without prior notice | For more information, contact info@economicaudio.in

Economic Audio India Pvt Ltd

T-4/31, Phase-1, Mangolpuri Industrial Area, Delhi- 110083, India

Tel: +91 9811656565

Email: info@economicaudio.in

Website: www.economicaudio.in